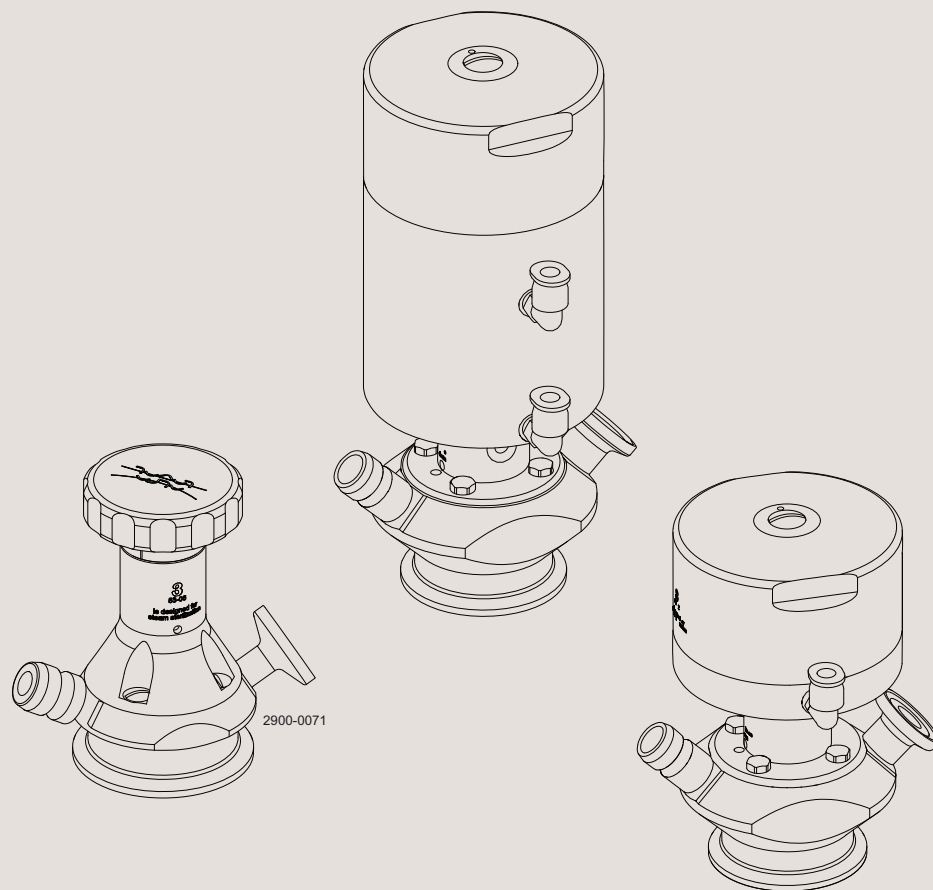




Spare Parts

Unique Sampling Valve



ESE02231-EN8

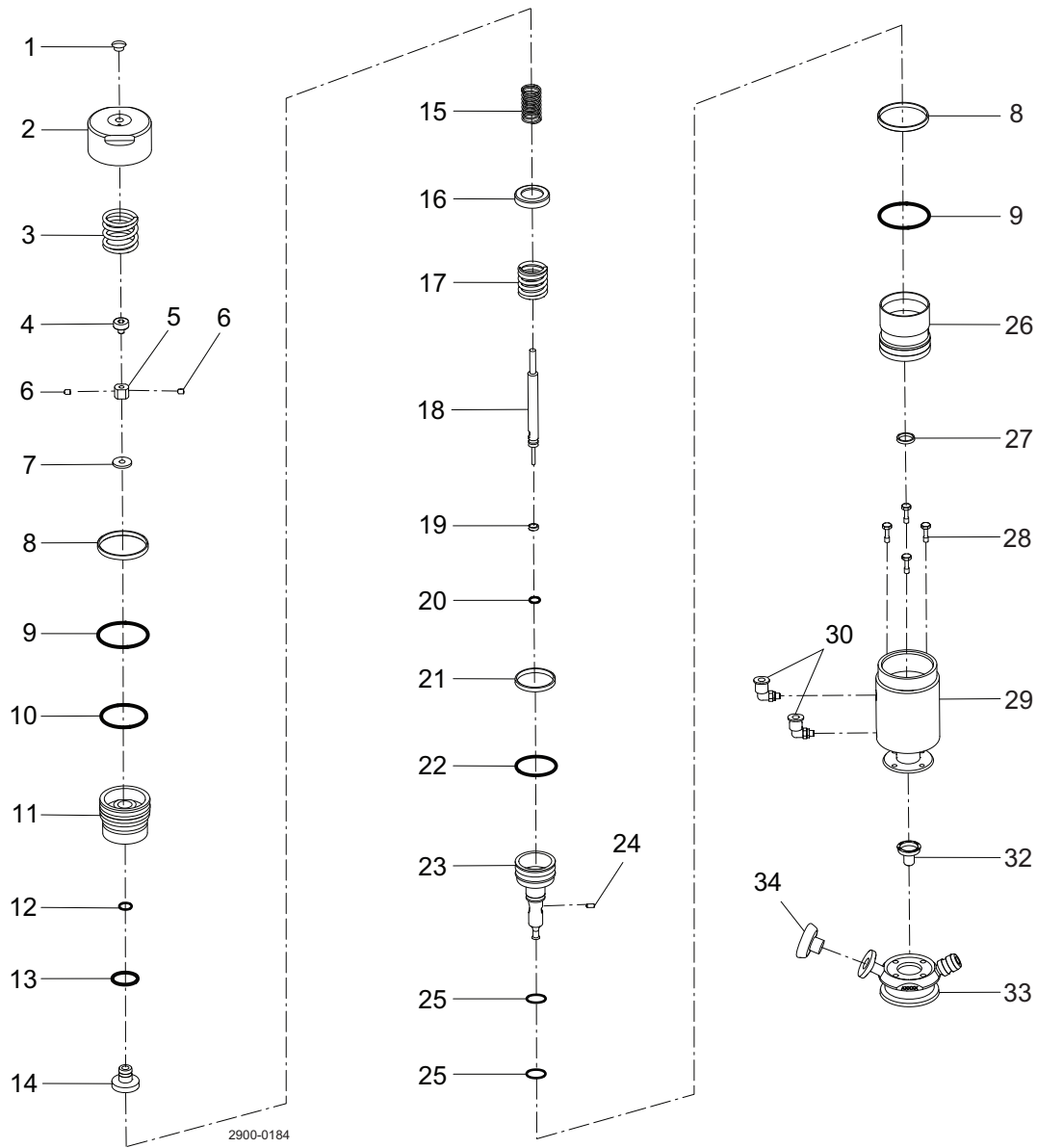
2016-08

Original manual

Table of contents

The information herein is correct at the time of issue but may be subject to change without prior notice

| | |
|---|----|
| 1. Actuator size 4 - double seat | 4 |
| 2. Actuator size 4 - single seat | 6 |
| 3. Actuator size 10 - double seat | 8 |
| 4. Actuator size 10 - single seat | 10 |
| 5. Actuator size 25 - double seat | 12 |
| 6. Actuator size 25 - single seat | 14 |
| 7. Manual handle size 4 - double seat | 16 |
| 8. Manual handle size 4 - single seat | 18 |
| 9. Manual handle size 10 - double seat | 20 |
| 10. Manual handle size 10 - single seat | 22 |



Actuator size 4 - double seat

| Pos | Qty | Denomination | Size 4 |
|------|-----|------------------------------|------------|
| | | Actuator | 9614019201 |
| 1 | 1 | Top plug | 9611995067 |
| 2 | 1 | Actuator top | 9614023601 |
| 3 | 1 | Spring | 9614016205 |
| 4 | 1 | Adjuster screw | 9614015601 |
| 5 | 1 | Adjuster nut | 9614015201 |
| 6 ▲ | 2 | Set screw | |
| 7 | 1 | Disc | 9614017801 |
| 8 | 2 | Guide ring | 9614071915 |
| 9 ▲ | 2 | O-ring | |
| 10 ▲ | 1 | O-ring | |
| 11 | 1 | Main piston top | 9614020701 |
| 12 ▲ | 1 | O-ring | |
| 13 ▲ | 1 | O-ring | |
| 14 | 1 | Inner seat lift piston | 9614020501 |
| 15 | 1 | Spring | 9614016206 |
| 16 | 1 | Spring disc | 9614018001 |
| 17 | 1 | Spring | 9614016207 |
| 18 | 1 | Inner stem | 9614023701 |
| 19 | 1 | Guide ring | 9614071919 |
| 20 ▲ | 1 | O-ring | |
| 21 | 1 | Guide ring | 9614071916 |
| 22 ▲ | 1 | O-ring | |
| 23 | 1 | Outer seat lift piston | 9614023501 |
| 24 ▲ | 1 | Pin | |
| 25 ▲ | 2 | O-ring | |
| 26 | 1 | Main piston bottom | 9614020601 |
| 27 | 1 | Guide ring | 9614071918 |
| 28 | 4 | Mount screws | 9614026001 |
| 29 | 1 | Actuator body | |
| 30 | 2 | Air fitting angle | 9611995055 |

| Pos | Qty | Denomination | Size 4 |
|-----------------|-----|--|------------|
| Membrane | | | |
| 32 | 10 | Membrane seal, EPDM, 10 pieces, for serial numbers Axxxx | 9614016501 |
| | 10 | Membrane seal, Silicone, 10 pieces, for serial numbers Axxxx | 9614016551 |
| | 10 | Membrane seal, EPDM, 10 pieces, for serial numbers Sxxxx | 9614018901 |
| | 10 | Membrane seal, Silicone, 10 pieces, for serial numbers Sxxxx | 9614018951 |

| Pos | Qty | Denomination | Size 4 |
|-------------------|-----|--|------------|
| Valve body | | | |
| 33 | 1 | Valve body, tank | 9614022801 |
| | 1 | Valve body, Tri-clamp | 9614094601 |
| | 1 | Valve body, collard pipe ISO 25 | 9614089301 |
| | 1 | Valve body, collard pipe ISO 38t | 9614073501 |
| | 1 | Valve body, collard pipe ISO 51 | 9614073701 |
| | 1 | Valve body, collard pipe DIN DN 25 | 9614089401 |
| | 1 | Valve body, collard pipe DIN DN 40 | 9614073601 |
| | 1 | Valve body, collard pipe DIN DN 50 | 9614073801 |

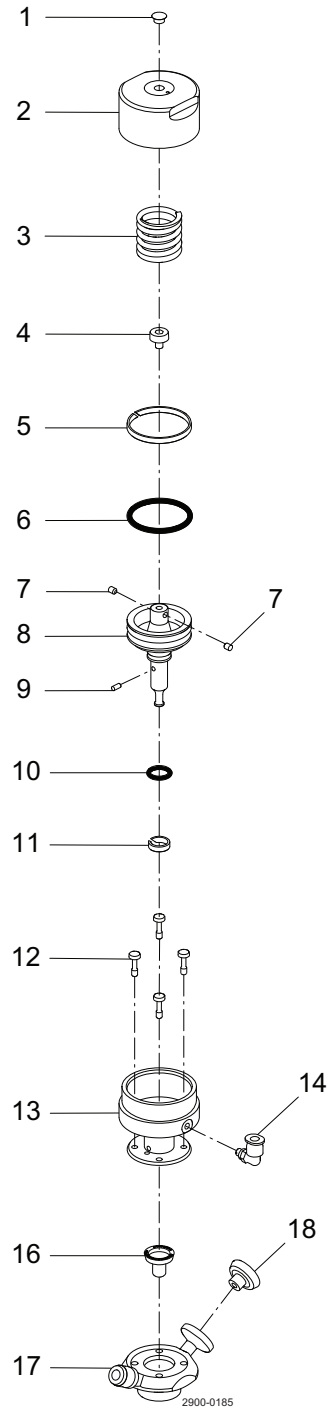
| | | | |
|----|---|---------------------------------------|------------|
| 34 | 1 | Plug for upper connection, EPDM | 9614290501 |
|----|---|---------------------------------------|------------|

Size 4

Service kit

| | | | |
|---|--|-------------------|------------|
| ▲ | | Service kit | 9611924303 |
|---|--|-------------------|------------|

900-682/2



Actuator size 4 - single seat

Pneumatic actuator Size 4 Single Seat

| Pos | Qty | Denomination | Size 4 |
|-----|-----|-------------------------|------------|
| 1 | 1 | Actuator | 9614027101 |
| | | Top plug | 9611995067 |
| 2 | 1 | Actuator top | 9614023601 |
| 3 | 1 | Spring | 9614016205 |
| 4 | 1 | Adjuster screw | 9614015601 |
| 5 | 1 | Guide ring | 9614071915 |
| 6 | ▲ 1 | O-ring | |
| 7 | ▲ 2 | Set screw | |
| 8 | 1 | Main piston | 9614025601 |
| 9 | ▲ 1 | Pin | |
| 10 | ▲ 1 | O-ring | |
| 11 | 1 | Guide ring | 9614071918 |
| 12 | 4 | Mount screws | 9614026001 |
| 13 | 1 | Actuator body | |
| 14 | 1 | Air fitting angle | 9611995055 |

| Pos | Qty | Denomination | Size 4 |
|-----------------|-----|---|------------|
| Membrane | | | |
| 16 | 10 | Membrane seal , EPDM, 10 pieces, for serial numbers Axxxx | 9614016501 |
| | 10 | Membrane seal, Silicone, 10 pieces, for serial numbers Axxxx | 9614016551 |
| | 10 | Membrane seal, EPDM, 10 pieces, for serial numbers Sxxxx | 9614018901 |
| | 10 | Membrane seal, Silicone, 10 pieces, for serial numbers Sxxxx | 9614018951 |

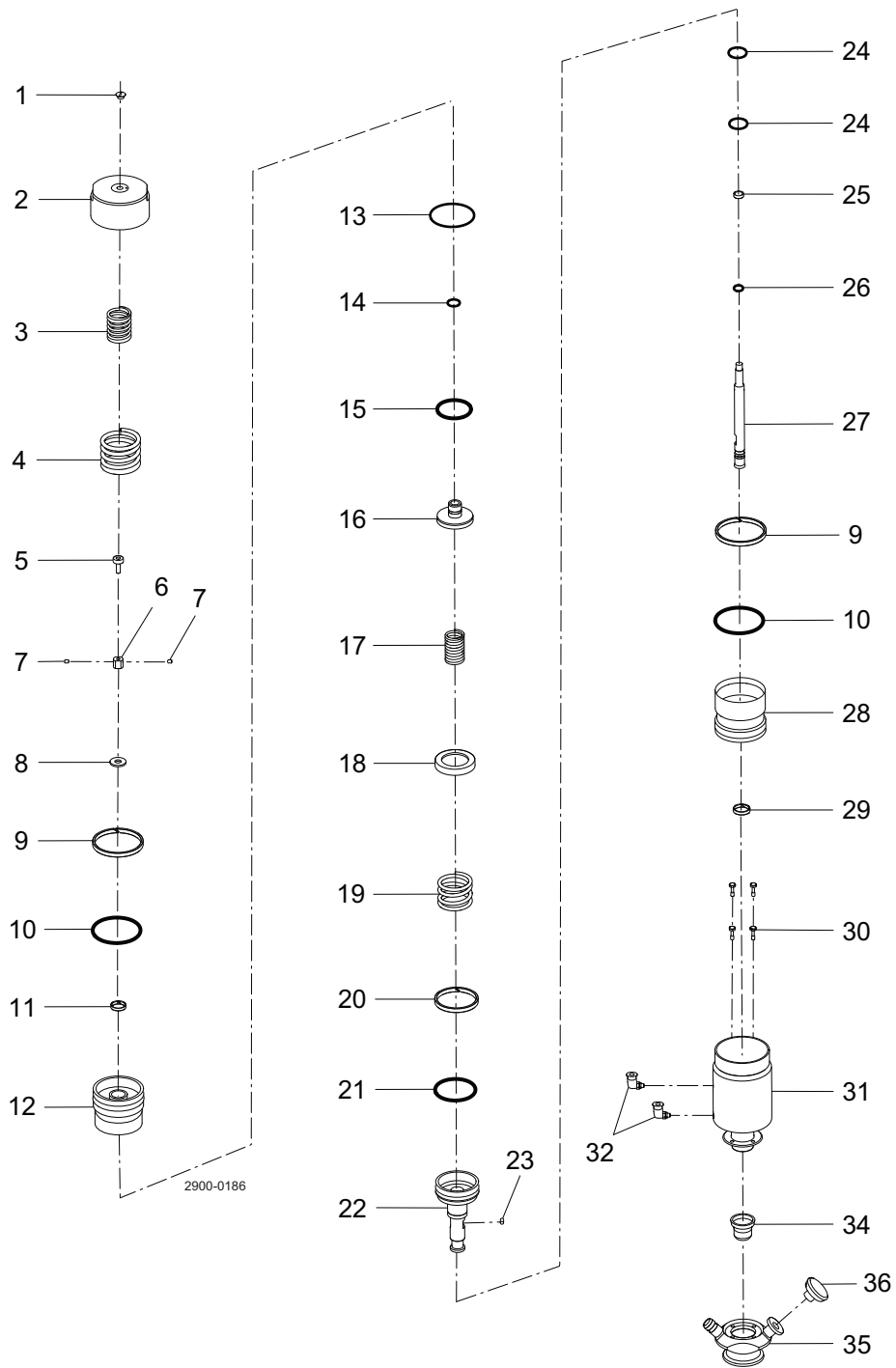
| Pos | Qty | Denomination | Size 4 |
|-------------------|-----|--|------------|
| Valve body | | | |
| 17 | 1 | Valve body, tank | 9614022801 |
| | 1 | Valve body, Tri-clamp | 9614094601 |
| | 1 | Valve body, collard pipe ISO 25 | 9614089301 |
| | 1 | Valve body, collard pipe ISO 38 | 9614073501 |
| | 1 | Valve body, collard pipe ISO 51 | 9614073701 |
| | 1 | Valve body, collard pipe DIN DN 25 | 9614089401 |
| | 1 | Valve body, collard pipe DIN DN 40 | 9614073601 |
| | 1 | Valve body, collard pipe DIN DN 50 | 9614073801 |

| | | | |
|----|---|---------------------------------------|------------|
| 18 | 1 | Plug for upper connection, EPDM | 9614290501 |
|----|---|---------------------------------------|------------|

Size 4

Service kit

| | | | |
|---|--|-------------------|------------|
| ▲ | | Service kit | 9611924304 |
|---|--|-------------------|------------|



Actuator size 10 - double seat

| Pos | Qty | Denomination | Size 10 |
|------|-----|------------------------------|------------|
| | | Actuator | 9614018601 |
| 1 | 1 | Top plug | 9611995067 |
| 2 | 1 | Actuator top | 9614016401 |
| 3 | 1 | Spring | 9614016202 |
| 4 | 1 | Spring | 9614016201 |
| 5 | 1 | Adjuster screw | 9614018501 |
| 6 | 1 | Adjuster nut | 9614019401 |
| 7 ▲ | 2 | Set screw | |
| 8 | 1 | Disc | 9614016301 |
| 9 | 2 | Guide ring | 9614071906 |
| 10 ▲ | 2 | O-ring | |
| 11 | 1 | Guide ring | 9614071909 |
| 12 | 1 | Main piston top | 9614057201 |
| 13 ▲ | 1 | O-ring | |
| 14 ▲ | 1 | O-ring | |
| 15 ▲ | 1 | O-ring | |
| 16 | 1 | Inner seat lift piston | 9614017101 |
| 17 | 1 | Spring | 9614016203 |
| 18 | 1 | Spring disc | 9614017201 |
| 19 | 1 | Spring | 9614016204 |
| 20 | 1 | Guide ring | 9614071908 |
| 21 ▲ | 1 | O-ring | |
| 22 | 1 | Outer seat lift piston | 9614017001 |
| 23 ▲ | 1 | Pin | |
| 24 ▲ | 2 | O-ring | |
| 25 | 1 | Guide ring | 9614071910 |
| 26 ▲ | 1 | O-ring | |
| 27 | 1 | Inner stem | 9614016801 |
| 28 | 1 | Main piston bottom | 9614016601 |
| 29 | 1 | Guide ring | 9614071907 |
| 30 | 4 | Mount screws | 9614026001 |
| 31 | 1 | Actuator body | |
| 32 | 2 | Air fitting angle | 9611995055 |

| Pos | Qty | Denomination | Size 10 |
|-----------------|-----|--|------------|
| Membrane | | | |
| 34 | 10 | Membrane seal, EPDM, 10 pieces | 9614018801 |
| | 10 | Membrane seal, Silicone, 10 pieces | 9614018851 |

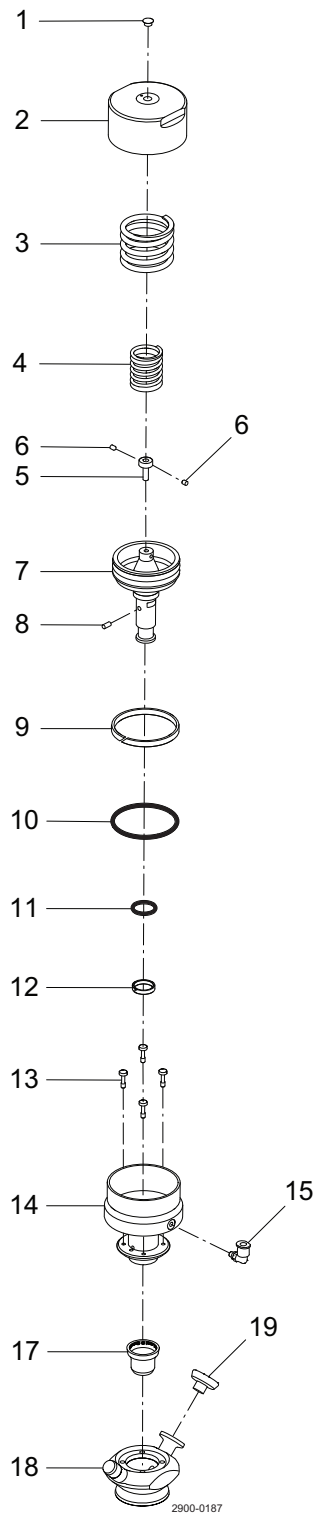
| Pos | Qty | Denomination | Size 10 |
|-------------------|-----|--|------------|
| Valve body | | | |
| 35 | 1 | Valve body, tank | 9614089601 |
| | 1 | Valve body, Tri-clamp | 9614089501 |
| | 1 | Valve body, collard pipe ISO 25 | 9614073901 |
| | 1 | Valve body, collard pipe ISO 38 | 9614089701 |
| | 1 | Valve body, collard pipe ISO 51 | 9614074101 |
| | 1 | Valve body, collard pipe DIN DN 25 | 9614074001 |
| | 1 | Valve body, collard pipe DIN DN 40 | 9614089801 |
| | 1 | Valve body, collard pipe DIN DN 50 | 9614074201 |

| | | | |
|----|---|---------------------------------------|------------|
| 36 | 1 | Plug for upper connection, EPDM | 9614290501 |
|----|---|---------------------------------------|------------|

Size 10

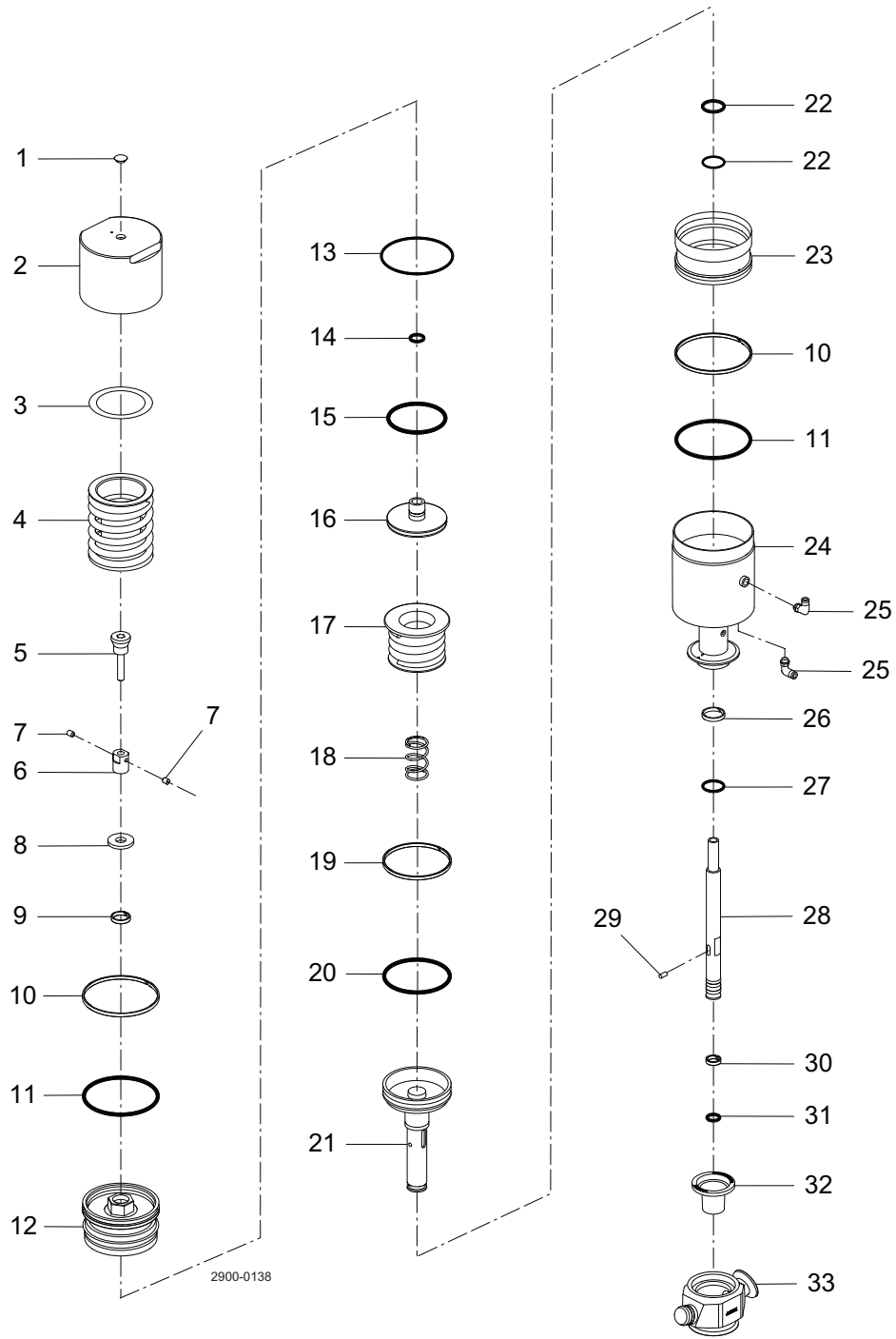
Service kit

| | | | |
|---|--|-------------------|------------|
| ▲ | | Service kit | 9611924305 |
|---|--|-------------------|------------|



Actuator size 10 - single seat

| Pos | Qty | Denomination | |
|--------------------|-----|--|------------|
| Actuator | | | |
| | | Actuator | 9614018701 |
| 1 | 1 | Top plug | 9611995067 |
| 2 | 1 | Actuator top | 9614016401 |
| 3 | 1 | Spring | 9614016201 |
| 4 | 1 | Spring | 9614016202 |
| 5 | 1 | Adjuster screw | 9614018501 |
| 6 | ▲ 2 | Set screw | |
| 7 | 1 | Main piston | 9614017901 |
| 8 | ▲ 1 | Pin | |
| 9 | 1 | Guide ring | 9614071906 |
| 10 | ▲ 1 | O-ring | |
| 11 | ▲ 1 | O-ring | |
| 12 | 1 | Guide ring | 9614071907 |
| 13 | 4 | Mount screws | 9614026001 |
| 14 | 1 | Actuator body | |
| 15 | 1 | Aair fitting angle | 9611995055 |
| Membrane | | | |
| 17 | 10 | Membrane seal, EPDM, 10 pieces | 9614018801 |
| | 10 | Membrane seal, silicone, 10 pieces | 9614018851 |
| Valve body | | | |
| 18 | 1 | Valve body, tank | 9614089601 |
| | 1 | Valve body, Tri-clamp | 9614089501 |
| | 1 | Valve body, collard pipe ISO 25 | 9614073901 |
| | 1 | Valve body, collard pipe ISO 38 | 9614089701 |
| | 1 | Valve body, collard pipe ISO 51 | 9614074101 |
| | 1 | Valve body, collard pipe DIN DN 25 | 9614074001 |
| | 1 | Valve body, collard pipe DIN DN 40 | 9614089801 |
| | 1 | Valve body, collard pipe DIN DN 50 | 9614074201 |
| 19 | 1 | Plug for upper connection, EPDM | 9614290501 |
| Service kit | | | |
| ▲ | | Service kit | 9611924309 |

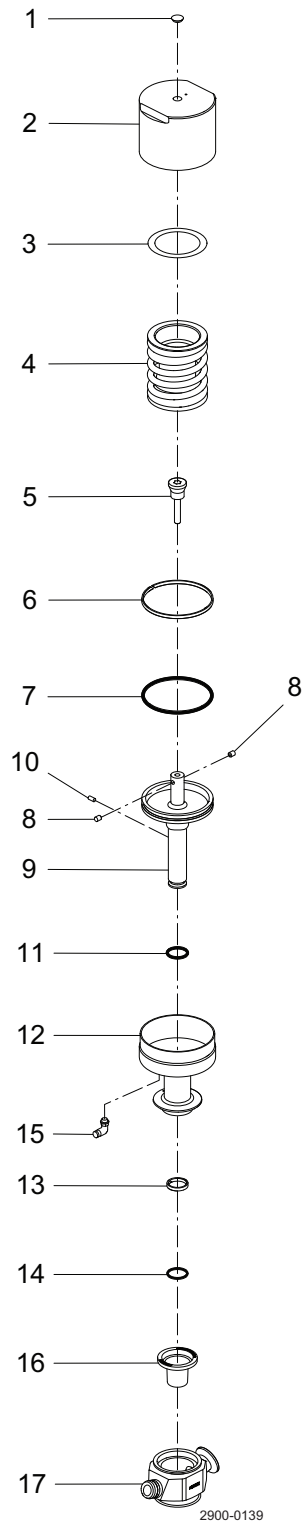


Actuator size 25 - double seat

| Pos | Qty | Denomination | |
|-------------------|-----|---|------------|
| Actuator | | | |
| | | Actuator | 9614019301 |
| 1 | 1 | Top plug | 9611995398 |
| 2 | 1 | Actuator top | 9614035201 |
| 3 | 1 | PTFE disc | 9614217701 |
| 4 | 1 | Spring | 9613132502 |
| 5 | 1 | Adjuster screw | 9614036101 |
| 6 | 1 | Nut for adjustment | 9614035101 |
| 7 | ▲ 2 | Set screw | |
| 8 | 1 | Disc | 9614035501 |
| 9 | 1 | Guide ring | 9614071923 |
| 10 | 2 | Guide ring | 9614071920 |
| 11 | ▲ 2 | O-ring | |
| 12 | 1 | Upper piston | 9614034801 |
| 13 | ▲ 1 | O-ring | |
| 14 | ▲ 1 | O-ring | |
| 15 | ▲ 1 | O-ring | |
| 16 | 1 | Inner piston | 9614034601 |
| 17 | 1 | Spring cage | 9614035701 |
| 18 | 1 | Spring | 9614016213 |
| 19 | 1 | Guide ring | 9614071921 |
| 20 | ▲ 1 | O-ring | |
| 21 | 1 | Outer stem | 9614034901 |
| 22 | ▲ 2 | O-ring | |
| 23 | 1 | Lower piston | 9614034701 |
| 24 | 1 | Actuator body | |
| 25 | 2 | Air fitting | 9611991988 |
| 26 | 1 | Guide ring | 9614071922 |
| 27 | ▲ 1 | O-ring | |
| 28 | 1 | Inner stem | 9614035001 |
| 29 | ▲ 1 | Pin | |
| 30 | 1 | Guide ring | 9614071924 |
| 31 | ▲ 1 | O-ring | |
| Membrane | | | |
| 32 | 10 | Membrane seal, EPDM, 10 pcs. | 9614019001 |
| | 10 | Membrane seal, silicone, 10 pcs. | 9614019051 |
| Valve body | | | |
| 33 | 1 | Valve body, tank | 9614022201 |
| | 1 | Valve body, Tri-clamp | 9614073401 |
| | 1 | Valve body, collard pipe ISO 51 | 9614074301 |
| | 1 | Valve body, collard pipe ISO 63.5 | 9614077201 |
| | 1 | Valve body, collard pipe DIN DN50 | 9614074401 |
| | 1 | Valve body, collard pipe DIN DN65 | 9614077301 |

Service kit

| | | | |
|---|--|-------------------|------------|
| ▲ | | Service kit | 9611924310 |
|---|--|-------------------|------------|

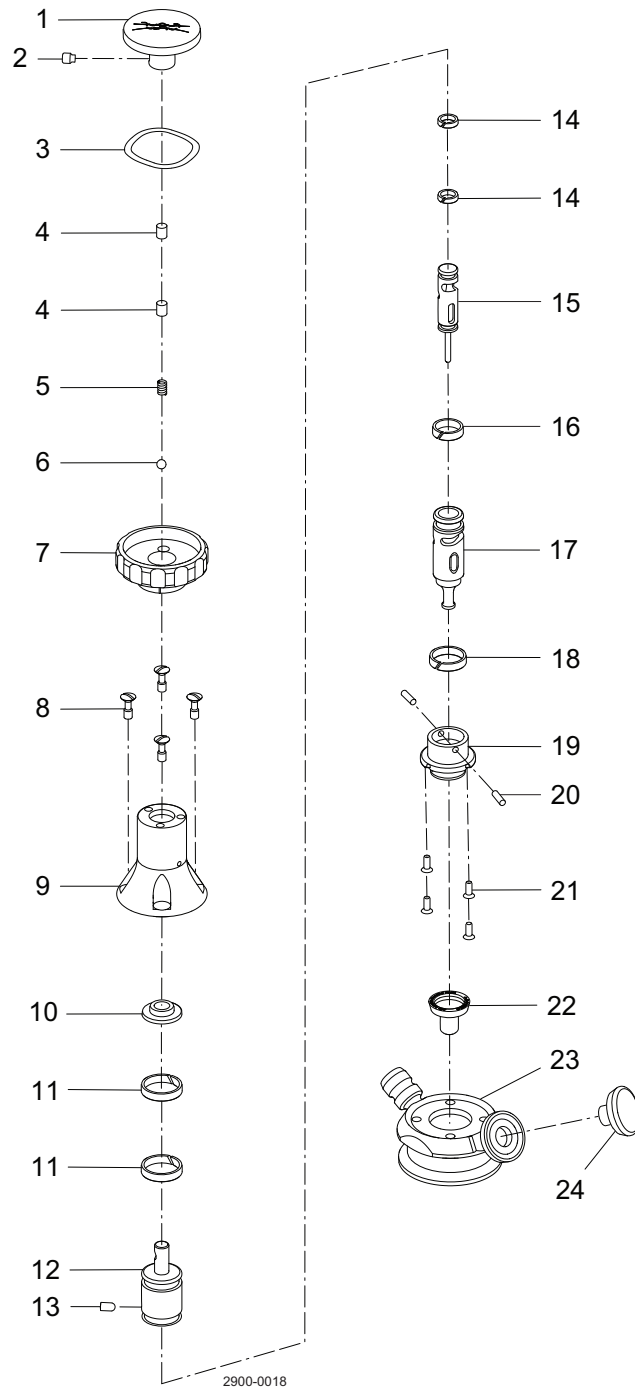


Actuator size 25 - single seat

| Pos | Qty | Denomination | |
|-------------------|-----|--|------------|
| Actuator | | | |
| | | Actuator | 9614021301 |
| 1 | 1 | Top plug | 9611995398 |
| 2 | 1 | Actuator top | 9614035201 |
| 3 | 1 | PTFE disc | 9614217701 |
| 4 | 1 | Spring | 9613132502 |
| 5 | 1 | Adjuster screw | 9614036101 |
| 6 | 1 | Guide ring | 9614071920 |
| 7 | ▲ 1 | O-ring | |
| 8 | ▲ 2 | Set screw | |
| 9 | 1 | Main piston | 9614036001 |
| 10 | ▲ 1 | Pin | |
| 11 | ▲ 1 | O-ring | |
| 12 | 1 | Actuator body | |
| 13 | 1 | Guide ring | 9614071922 |
| 14 | ▲ 1 | O-ring | |
| 15 | 1 | Air fitting | 9611991988 |
| Membrane | | | |
| 16 | 10 | Membrane seal, EPDM, 10 pcs. | 9614019001 |
| | 10 | Membrane seal, silicone, 10 pcs. | 9614019051 |
| Valve body | | | |
| 17 | 1 | Valve body, tank | 9614022201 |
| | 1 | Valve body, Tri-clamp | 9614073401 |
| | 1 | Valve body, collard pipe ISO 51 | 9614074301 |
| | 1 | Valve body, collard pipe ISO 63.5 | 9614077201 |
| | 1 | Valve body, collard pipe DIN DN 50 | 9614074401 |
| | 1 | Valve body, collard pipe DIN DN 65 | 9614077301 |

Service kit

| | | | |
|---|--|-------------------|------------|
| ▲ | | Service kit | 9611924311 |
|---|--|-------------------|------------|

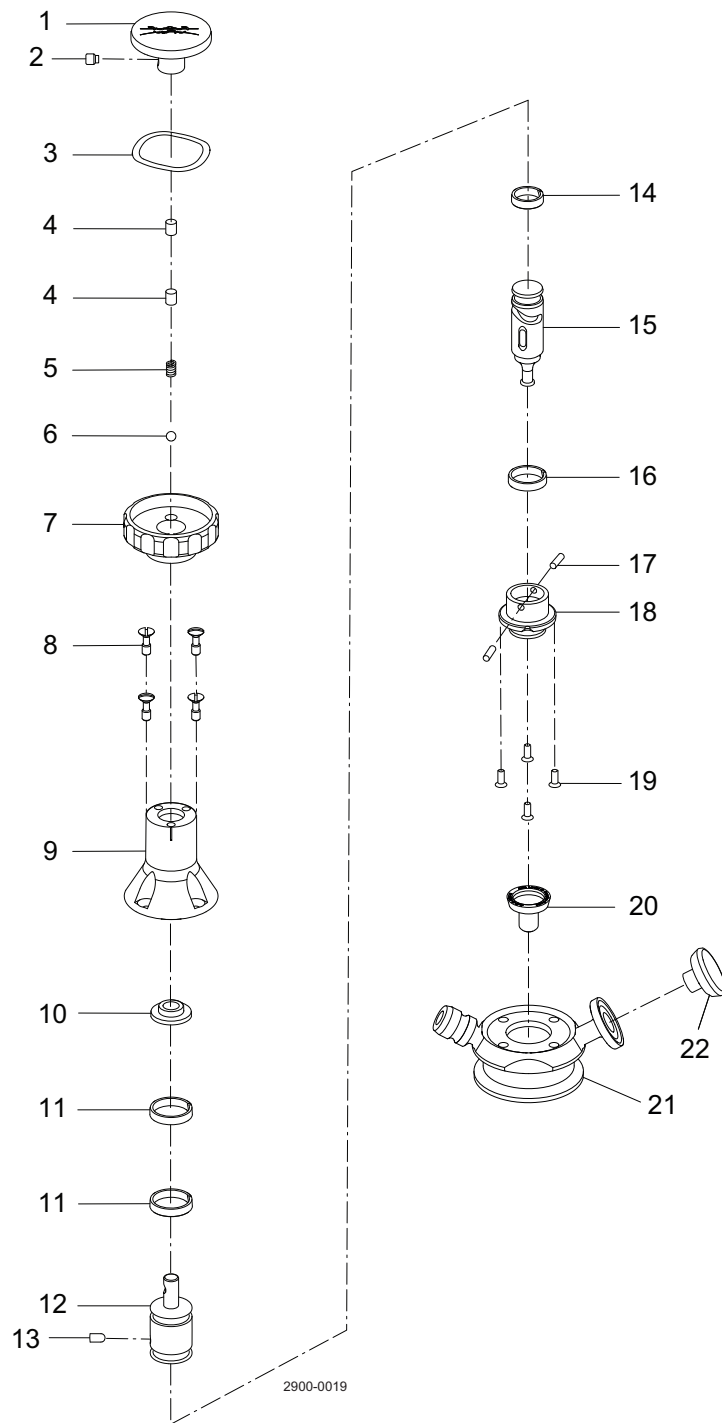


Manual handle size 4 - double seat

| Pos | Qty | Denomination | Size 4 |
|---|-----|------------------------------------|------------|
| Manual actuator Size 4 Double Seat | | | |
| | | Actuator | 9614019101 |
| 1 | 1 | Drive handle | |
| 2 | 1 | Pin screw | |
| 3 | 1 | Wave spring | |
| 4 | 2 | Pin | |
| 5 | 1 | Spring | |
| 6 | 1 | Ball | |
| 7 | 1 | Handle | |
| 8 | 1 | Mounting screw, set of 4 pcs. | 9614022902 |
| 9 | 1 | Actuator body | |
| 10 | 1 | Spacer | |
| 11 | 2 | Guide ring | |
| 12 | 1 | Piston drive | |
| 13 | 1 | Guide pin | |
| 14 | 2 | Guide ring | |
| 15 | 1 | Inner piston | |
| 16 | 1 | Guide ring | |
| 17 | 1 | Outer piston | |
| 18 | 1 | Guide ring | |
| 19 | 1 | Actuator bottom | |
| 20 | 2 | Pin | |
| 21 | 4 | Screws | |

| Pos | Qty | Denomination | Size 4 |
|-----------------|-----|--|------------|
| Membrane | | | |
| 22 | 10 | Membrane seal, EPDM, 10 pieces, for serial numbers Axxxx | 9614016501 |
| | 10 | Membrane seal, Silicone, 10 pieces, for serial numbers Axxxx | 9614016551 |
| | 10 | Membrane seal, EPDM, 10 pieces, for serial numbers Sxxxx | 9614018901 |
| | 10 | Membrane seal, Silicone, 10 pieces, for serial numbers Sxxxx | 9614018951 |

| Pos | Qty | Denomination | Size 4 |
|-------------------|-----|--|------------|
| Valve Body | | | |
| 23 | 1 | Valve body, Tank | 9614022801 |
| | 1 | Valve body, Tri-clamp | 9614094601 |
| | 1 | Valve body, collard pipe ISO 25 | 9614089301 |
| | 1 | Valve body, collard pipe ISO 38 | 9614073501 |
| | 1 | Valve body, collard pipe ISO 51 | 9614073701 |
| | 1 | Valve body, collard pipe DIN DN 25 | 9614089401 |
| | 1 | Valve body, collard pipe DIN DN 40 | 9614073601 |
| | 1 | Valve body, collard pipe DIN DN 50 | 9614073801 |
| 24 | 1 | Plug for upper connection, EPDM | 9614290501 |

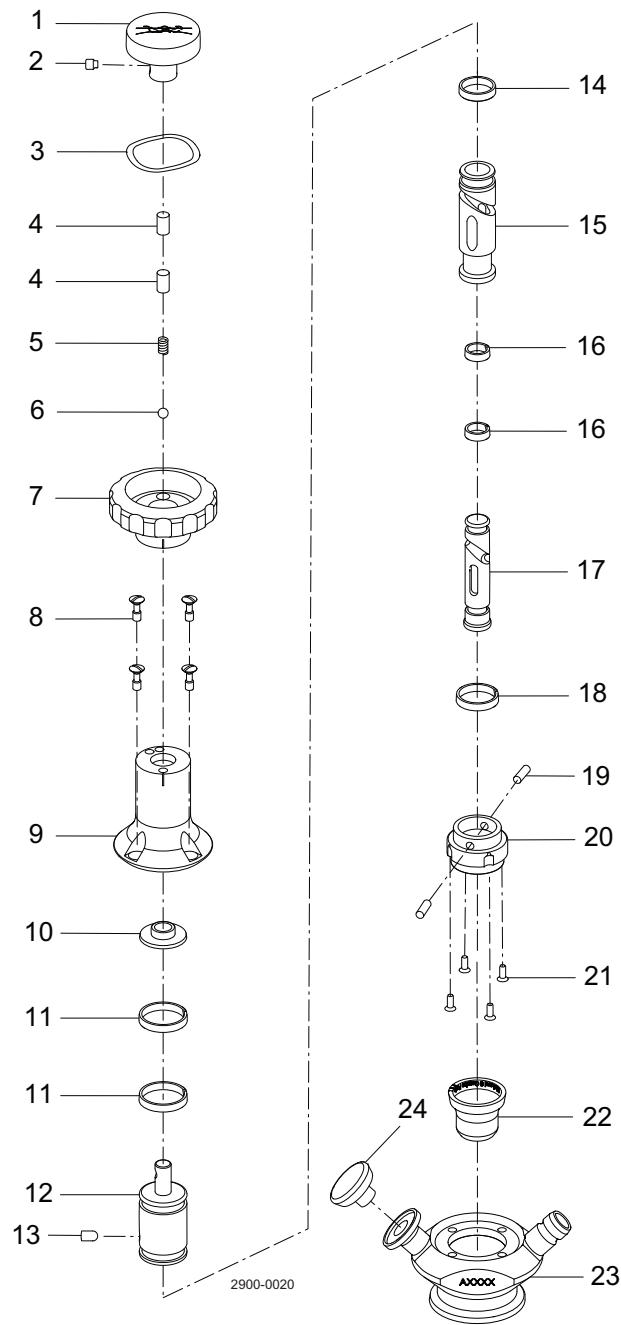


Manual handle size 4 - single seat

| Pos | Qty | Denomination | Size 4 |
|---|-----|------------------------------------|------------|
| Manual actuator Size 4 Single Seat | | | |
| | | Actuator | 9614022601 |
| 1 | 1 | Drive handle | |
| 2 | 1 | Pin screw | |
| 3 | 1 | Wave spring | |
| 4 | 2 | Pin | |
| 5 | 1 | Spring | |
| 6 | 1 | Ball | |
| 7 | 1 | Handle | |
| 8 | 1 | Mounting screw, set of 4 pcs. | 9614022902 |
| 9 | 1 | Actuator body | |
| 10 | 1 | Spacer | |
| 11 | 2 | Guide ring | |
| 12 | 1 | Piston drive | |
| 13 | 1 | Guide pin | |
| 14 | 1 | Guide ring | |
| 15 | 1 | Piston | |
| 16 | 1 | Guide ring | |
| 17 | 2 | Pin | |
| 18 | 1 | Actuator bottom | |
| 19 | 4 | Screws | |

| Pos | Qty | Denomination | Size 4 |
|-----------------|-----|--|------------|
| Membrane | | | |
| 20 | 10 | Membrane seal, EPDM, 10 pieces, for serial numbers Axxxx | 9614016501 |
| | 10 | Membrane seal, Silicone, 10 pieces, for serial numbers Axxxx | 9614016551 |
| | 10 | Membrane seal, EPDM, 10 pieces, for serial numbers Sxxxx | 9614018901 |
| | 10 | Membrane seal, Silicone, 10 pieces, for serial numbers Sxxxx | 9614018951 |

| Pos | Qty | Denomination | Size 4 |
|-------------------|-----|--|------------|
| Valve Body | | | |
| 21 | 1 | Valve body, Tank | 9614022801 |
| | 1 | Valve body, Tri-clamp | 9614094601 |
| | 1 | Valve body, collard pipe ISO 25 | 9614089301 |
| | 1 | Valve body, collard pipe ISO 38 | 9614073501 |
| | 1 | Valve body, collard pipe ISO 51 | 9614073701 |
| | 1 | Valve body, collard pipe DIN DN 25 | 9614089401 |
| | 1 | Valve body, collard pipe DIN DN 40 | 9614073601 |
| | 1 | Valve body, collard pipe DIN DN 50 | 9614073801 |
| 22 | 1 | Plug for upper connection, EPDM | 9614290501 |

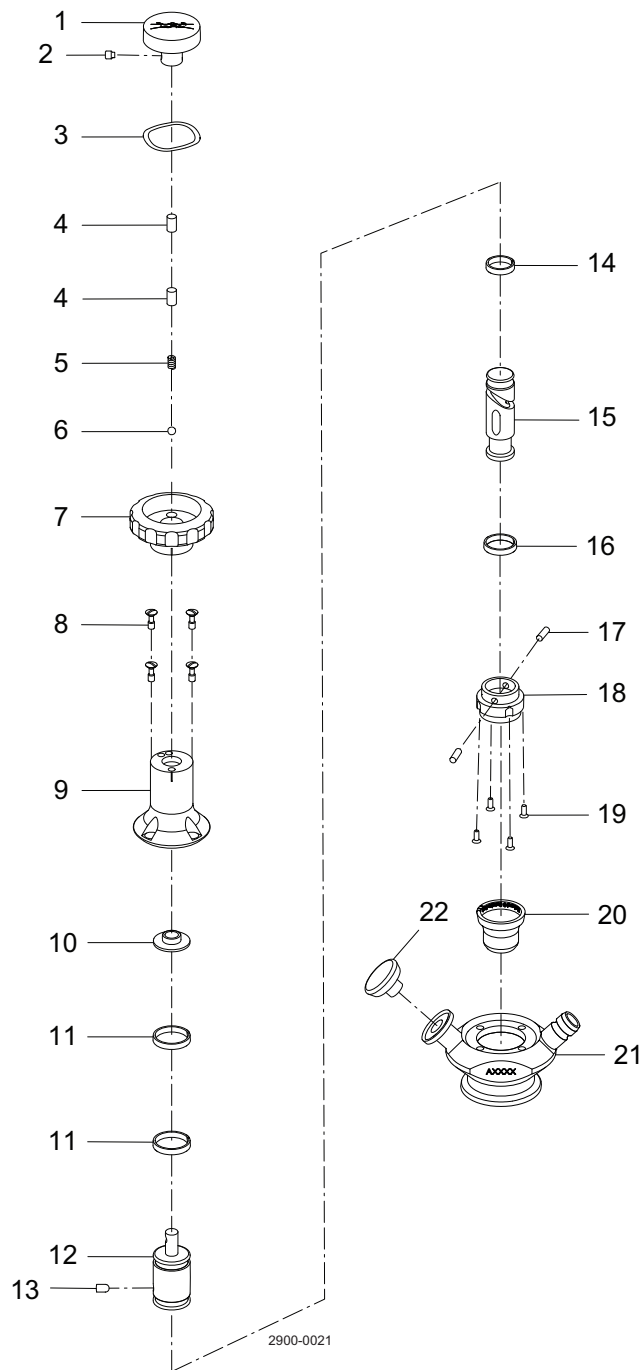


Manual handle size 10 - double seat

| Pos | Qty | Denomination | Size 10 |
|--|-----|------------------------------------|------------|
| Manual actuator Size 10 Double Seat | | | |
| | | Actuator | 9614018201 |
| 1 | 1 | Drive handle | |
| 2 | 1 | Pin screw | |
| 3 | 1 | Wave spring | |
| 4 | 2 | Pin | |
| 5 | 1 | Spring | |
| 6 | 1 | Ball | |
| 7 | 1 | Handle | |
| 8 | 1 | Mounting screw, set of 4 pcs. | 9614022902 |
| 9 | 1 | Actuator body | |
| 10 | 1 | Spacer | |
| 11 | 2 | Guide ring | |
| 12 | 1 | Piston drive | |
| 13 | 1 | Guide pin | |
| 14 | 1 | Guide ring | |
| 15 | 1 | Outer piston | |
| 16 | 2 | Guide ring | |
| 17 | 1 | Inner piston | |
| 18 | 1 | Guide ring | |
| 19 | 2 | Pin | |
| 20 | 1 | Actuator bottom | |
| 21 | 4 | Screws | |

| Pos | Qty | Denomination | Size 10 |
|-----------------|-----|--|------------|
| Membrane | | | |
| 22 | 10 | Membrane seal, EPDM, 10 pieces | 9614018801 |
| | 10 | Membrane seal, Silicone, 10 pieces | 9614018851 |

| Pos | Qty | Denomination | Size 10 |
|-------------------|-----|--|------------|
| Valve Body | | | |
| 23 | 1 | Valve body, Tank | 9614089601 |
| | 1 | Valve body, Tri-clamp | 9614089501 |
| | 1 | Valve body, collard pipe ISO 25 | 9614073901 |
| | 1 | Valve body, collard pipe ISO 38 | 9614089701 |
| | 1 | Valve body, collard pipe ISO 51 | 9614074101 |
| | 1 | Valve body, collard pipe DIN DN 25 | 9614074001 |
| | 1 | Valve body, collard pipe DIN DN 40 | 9614089801 |
| | 1 | Valve body, collard pipe DIN DN 50 | 9614074201 |
| 24 | 1 | Plug for upper connection, EPDM | 9614290501 |



Manual handle size 10 - single seat

| Pos | Qty | Denomination | Size 10 |
|--|-----|------------------------------------|------------|
| Manual actuator Size 10 Single Seat | | | |
| | | Actuator | 9614018401 |
| 1 | 1 | Drive handle | |
| 2 | 1 | Pin screw | |
| 3 | 1 | Wave spring | |
| 4 | 2 | Pin | |
| 5 | 1 | Spring | |
| 6 | 1 | Ball | |
| 7 | 1 | Handle | |
| 8 | 1 | Mounting screw, set of 4 pcs. | 9614022902 |
| 9 | 1 | Actuator body | |
| 10 | 1 | Spacer | |
| 11 | 2 | Guide ring | |
| 12 | 1 | Piston drive | |
| 13 | 1 | Guide pin | |
| 14 | 1 | Guide ring | |
| 15 | 1 | Piston | |
| 16 | 1 | Guide ring | |
| 17 | 2 | Pin | |
| 18 | 1 | Actuator bottom | |
| 19 | 4 | Screws | |

| Pos | Qty | Denomination | Size 10 |
|-----------------|-----|--|------------|
| Membrane | | | |
| 20 | 10 | Membrane seal, EPDM, 10 pieces | 9614018801 |
| | 10 | Membrane seal, Silicone, 10 pieces | 9614018851 |

| Pos | Qty | Denomination | Size 10 |
|-------------------|-----|--|------------|
| Valve Body | | | |
| 21 | 1 | Valve body, Tank | 9614089601 |
| | 1 | Valve body, Tri-clamp | 9614089501 |
| | 1 | Valve body, collard pipe ISO 25 | 9614073901 |
| | 1 | Valve body, collard pipe ISO 38 | 9614089701 |
| | 1 | Valve body, collard pipe ISO 51 | 9614074101 |
| | 1 | Valve body, collard pipe DIN DN 25 | 9614074001 |
| | 1 | Valve body, collard pipe DIN DN 40 | 9614089801 |
| | 1 | Valve body, collard pipe DIN DN 50 | 9614074201 |
| 22 | 1 | Plug for upper connection, EPDM | 9614290501 |

How to contact Alfa Laval

Contact details for all countries are continually updated on our website.

Please visit www.alfalaval.com to access the information directly.

© Alfa Laval Corporate AB

This document and its contents is owned by Alfa Laval Corporate AB and protected by laws governing intellectual property and thereto related rights. It is the responsibility of the user of this document to comply with all applicable intellectual property laws. Without limiting any rights related to this document, no part of this document may be copied, reproduced or transmitted in any form or by any means (electronic, mechanical, photocopying, recording, or otherwise), or for any purpose, without the expressed permission of Alfa Laval Corporate AB. Alfa Laval Corporate AB will enforce its rights related to this document to the fullest extent of the law, including the seeking of criminal prosecution.